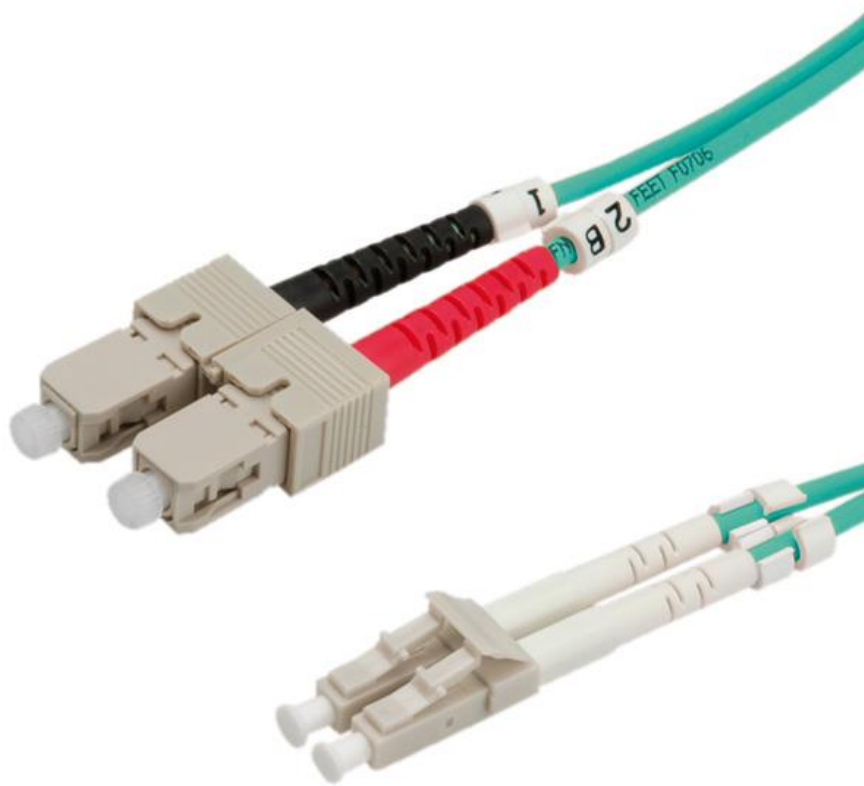




Datenblatt - Fiche technique - Data sheet

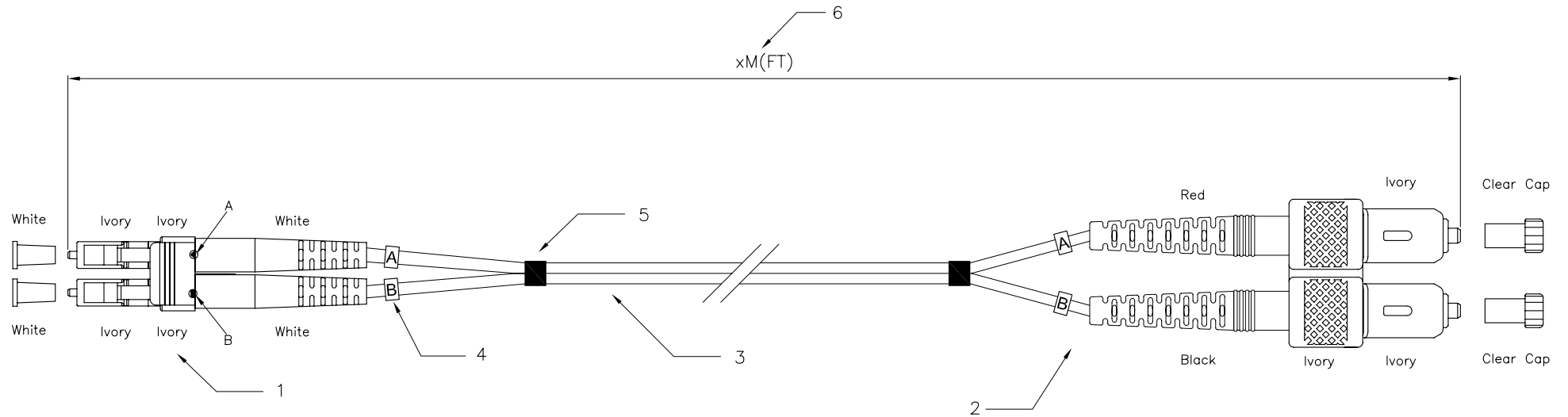
21.15.8718



ROLINE LWL-Kabel 50/125 μ m OM3, LC/SC, türkis, 10m

ROLINE Câble FO 50/125 μ m, LC/SC, OM3, turquoise, 10m

ROLINE Fibre Optic Jumper Cable, 50/125 μ m, LC/SC, OM3, turquoise, 10m



Specification:

- 1. Connector Type : LC Multimode
- 2. Connector Type : SC Multimode
- 3. Cable Type :
 - 3-1 Zipcord Cable, ϕ 2.0mm, 50/125um Multimode.(OM3 Corning Fiber)
 - 3-2 Calbe Jacket : Aqua Color, PVC Material.
- 4. Cable Marker
- 5. Shrink Tube
- 6. Length : xM(FT)

Performance:

- a. Insertion Loss : <0.5 dB
- b. Fiber Extention : $-0.05\mu\text{m} < H < +0.05\mu\text{m}$
- c. ϕ 1.25mm Ferrule End-face Radius : $7 < R < 25\text{mm}$
 ϕ 2.5mm Ferrule End-face Radius : $8 < R < 25\text{mm}$
- d. Apex Offset : $< 50\mu\text{m}$
- e. Increase in insertion loss after 500 mating : 0.2 dB Max
- f. Operating Temperature : -20° to $+70^{\circ}$
- g. Storage Temperature : -40° to $+80^{\circ}$

Remack#

21.15.8710	MultiMode, LC-SC,50/125 um	0.5M
21.15.8711	MultiMode, LC-SC,50/125 um	1M
21.15.8712	MultiMode, LC-SC,50/125 um	2M
21.15.8713	MultiMode, LC-SC,50/125 um	3M
21.15.8715	MultiMode, LC-SC,50/125 um	5M
21.15.8718	MultiMode, LC-SC,50/125 um	10M

GENERAL TOLERANCE OF DIMENSIONS X.XXX \pm 0.005 X.XX \pm 0.05 X.X \pm 0.1	DRAWING	07.JAN.2011	Abby	Rotronic Co.,LTd.	
	CHECK	07.JAN.2011	MAER		
	APPROVAL	07.JAN.2011	YTY		
		DATE	NAME	ITEM NO.: 21.15.XXXX 有吊卡	
	SCALE	1/1 (A4)	UNIT	mm	DES.: SC to LC Duplex patch cord
	DRAWING NO. SFNIE502331xxxx03001(SA1)				A1
	DRAWING CLASSIFICATION		S	SHEET 1 OF 1	